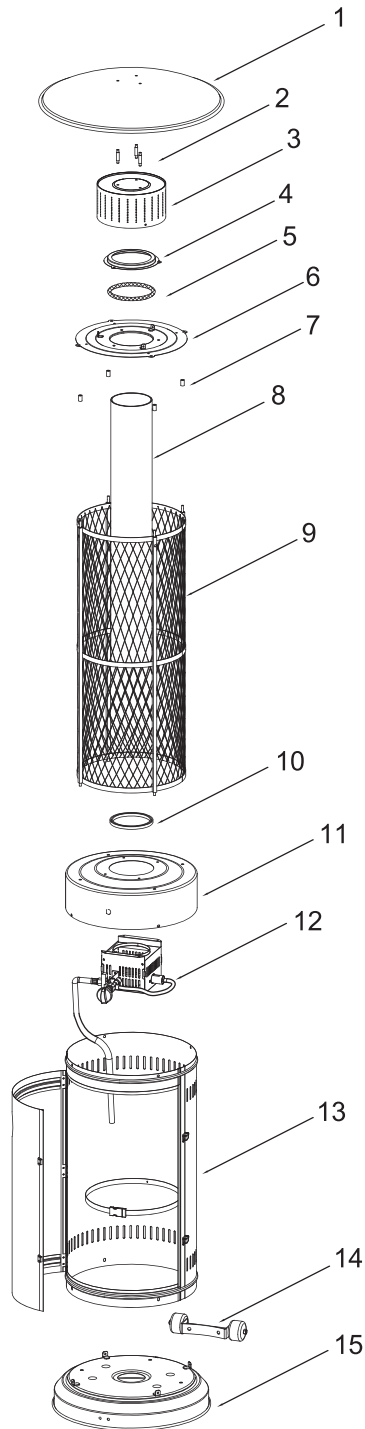


# Parts Breakdown

Model PH-CN-1800-C 43584





# Parts Breakdown

---

## Model PH-CN-1800-C 43584

Item No.	Description	Position	Item No.	Description	Position	Item No.	Description	Position
63396	Reflector for 43584	1	63401	Round Top for 43584	6	63406	Tank Cover for 43584	11
63397	Stud for 43584	2	63402	Protective Guard Support Tube for 43584	7	63407	Burner and Control Box for 43584	12
63398	Flame Screen for 43584	3	AH558	Glass Tube for 43584	8	63408	Tank Housing for 43584	13
63399	Tube Lockers for 43584	4	AH559	Protective Guard for 43584	9	63409	Wheel for 43584	14
63400	Fiber Ring for 43584	5	63405	Rubber Ring/Gasket for 43584	10	63410	Base for 43584	15